



Theia

TECHNOLOGIES

SY110 Megapixel Lens Ultra-wide - Day/Night - No Distortion



LINEAR OPTICAL TECHNOLOGY

- ❖ **Ultra wide** horizontal field of view up to 120° provides greater security
- ❖ Patented Linear Optical Technology® enables **no barrel distortion** for maximum resolution
- ❖ IR corrected for **Day/Night** cameras
- ❖ Supports **multi megapixel resolution** cameras for demanding applications
- ❖ Near and far objects **continuously in focus** without lens adjustment
- ❖ Available with C-mount or CS-mount and with auto or manual iris

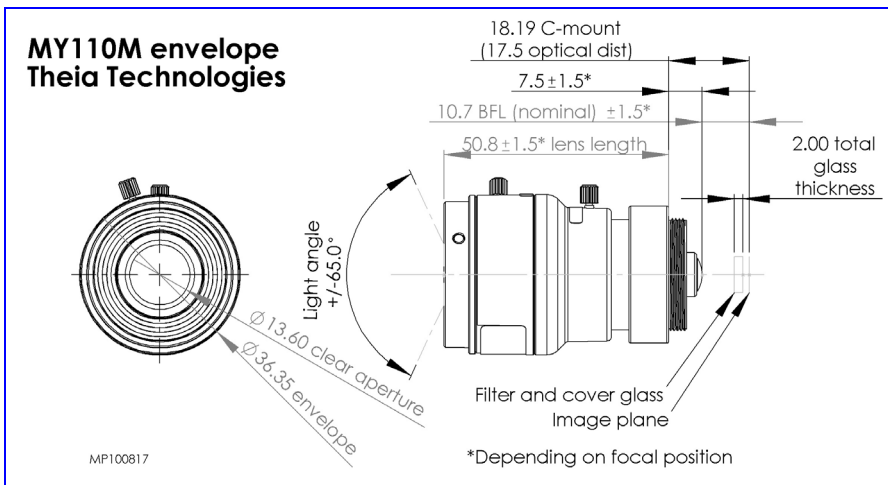
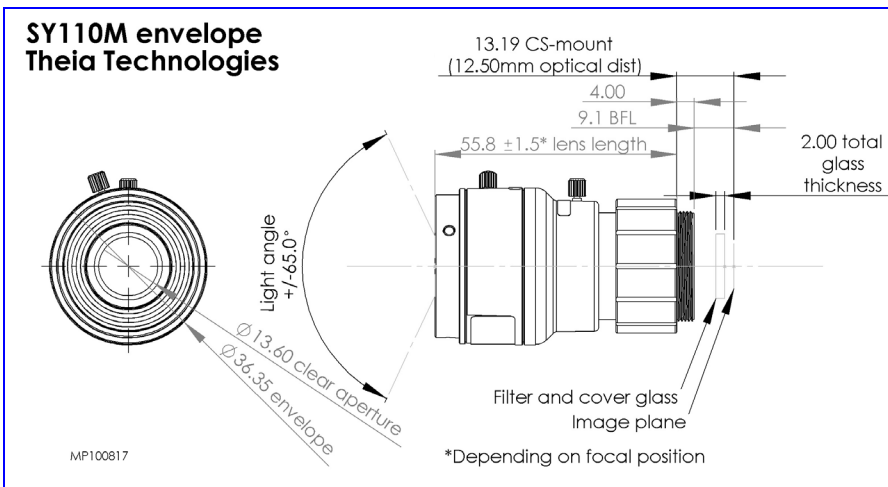
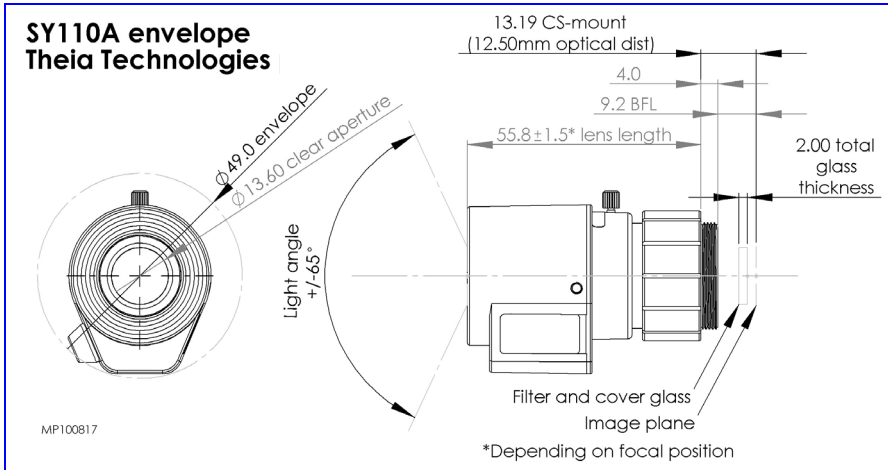


Typical wide angle lens

| Lenses | SY110A DC-autoiris | SY110M Manual iris | MY110A* DC-autoiris | MY110M Manual iris |
|----------------------------|--|-----------------------|------------------------|-----------------------|
| Mount type | CS-mount | | C-mount | |
| Focal length | 1.67mm | | | |
| Linear Optical Technology® | Yes (Note: this technology causes the image to be flipped) | | | |
| Distortion | <1% | | | |
| Resolution | Up to 3MPix resolution | | | |
| F/# | F/1.8 to close | | | |
| IR Correction | Day/Night | | | |
| Sensor size | 1/4" | 1/3" | 1/2.5" ** | |
| Field of view (H) | 94° | 110° | 120° | |
| Field of view (V) | 78° | 94° | 104° | |
| Field of view (D) | 107° | 122° | 130° | |

*Available by special request, MOQ 500

**Some vignetting may occur using a 1/2.5" sensor is sensor is not well aligned in the camera.



For more information contact:

Theia Technologies
info@TheiaTech.com
www.TheiaTech.com
Phone: +1-503-570-3296