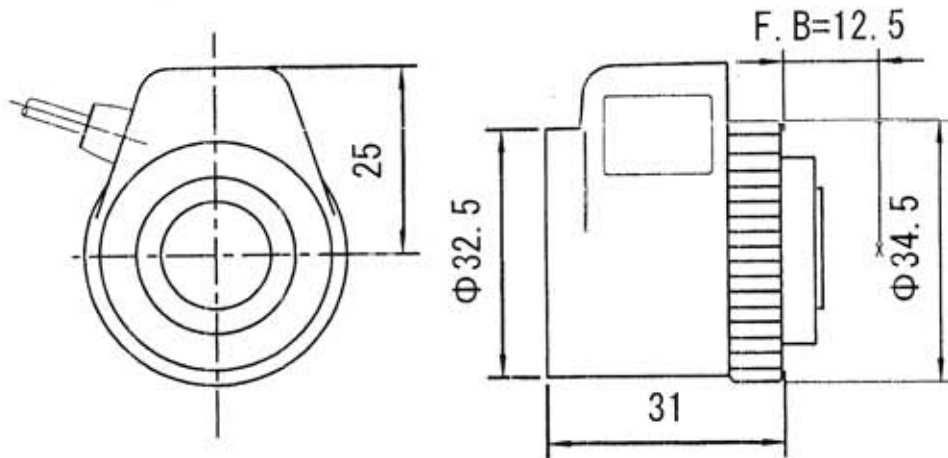


LTF0812GCS



[OPTICAL SPECIFICATIONS]

FORMAT	1/3"
MOUNT	CS MOUNT
FOCAL LENGTH	8.0 mm
IRIS RANGE	F1.2 - 360
ANGLE OF VIEW	(1/2") * * *
	(1/3") 43.8 (D) x 34.8 (H) x 25.9 (V)
M.O.D.	0.3 M
BACK FOCAL LENGTH	8.08mm
FLANGE BACK LENGTH	12.5 mm
FILTER SCREW SIZE	M30.5 P=0.5
DIMENSIONS	34.5 (W) x 42.3 (H) x 31.0 (L) mm
WEIGHT	
OPERATION	<IRIS> AUTO (DC)
	DRIVING COIL : 190 Ω ± 10% (20°C)
	CLOSE-OPEN less than 4.0V
	OPEN-CLOSE more than 0.5V
	DAMPING COIL : 700 Ω ± 10% (20°C)
	RESPOND SPEED : 3.0sec. or less
	<FOCUS> MANUAL
OPERATING TEMPERATURE	-10 - +50°C

[CABLE CONNECTION]

< 4 CORE CABLE FOR AUTO-IRIS >

WHITE	DRIVE (+)	OPEN
GREEN	DRIVE (-)	
BLACK	DAMP (+)	OPEN
RED	DAMP (-)	