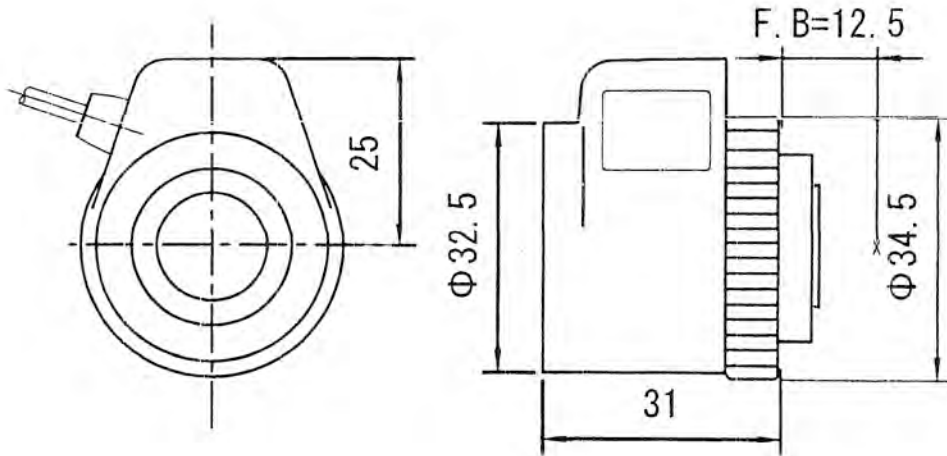


RAYMAX CCTV LENS

LTF0412GCS



[OPTICAL SPECIFICATIONS]

FORMAT			1/3"
MOUNT			CS MOUNT
FOCAL LENGTH			4.0 mm
IRIS RANGE			F1.2 - 360
ANGLE OF VIEW	(1/2")		* * *
	(1/3")		78.2 (D) x 64.5 (H) x 49.2 (V)
M.O.D.			0.3 M
BACK FOCAL LENGTH			8.15mm
FLANGE BACK LENGTH			12.5 mm
FILTER SCREW SIZE			M30.5 P=0.5
DIMENSIONS			34.5 (W) x 42.3 (H) x 31.0 (L) mm
WEIGHT			35 g
OPERATION	<IRIS>	AUTO (DC)	DRIVING COIL : 190Ω ± 10% (20°C)
			CLOSE-OPEN less than 4.0V
			OPEN-CLOSE more than 0.5V
			DAMPING COIL : 700Ω ± 10% (20°C)
			RESPOND SPEED : 3.0sec. or less
	<FOCUS>	MANUAL	
OPERATING TEMPERATURE			-10 - +50°C

[CABLE CONNECTION]

<4 CORE CABLE FOR AUTO-IRIS >

WHITE	DRIVE (+)	OPEN
GREEN	DRIVE (-)	
BLACK	DAMP (+)	OPEN
RED	DAMP (-)	