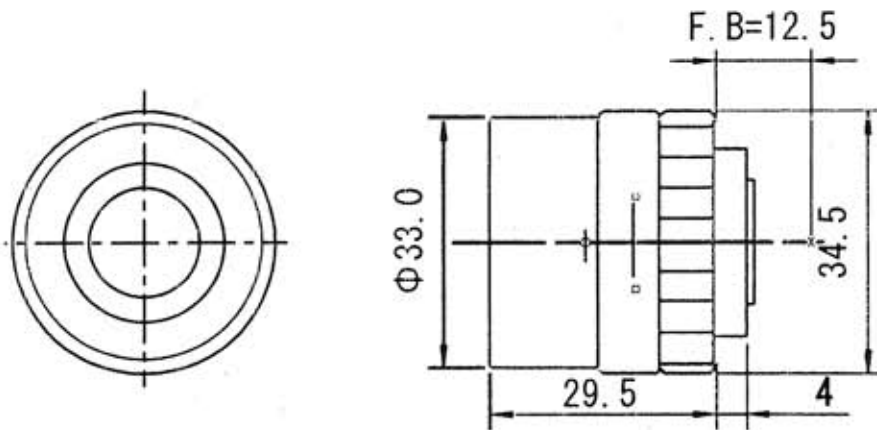


LTF0412CS



[OPTICAL SPECIFICATIONS]

FORMAT	1/3"
MOUNT	CS MOUNT
FOCAL LENGTH	4.0 mm
IRIS RANGE	F1.2 - CLOSE
ANGLE OF VIEW	(1/2") * * *
	(1/3") 78.2 (D) x 64.5 (H) x 49.2 (V)
M.O.D.	0.3 M
BACK FOCAL LENGTH	8.15mm
FLANGE BACK LENGTH	12.5 mm
FILTER SCREW SIZE	M30.5 P=0.5
DIMENSIONS	$\Phi 34.5 \times 29.5$ mm
WEIGHT	30 g
OPERATION	< IRIS > MANUAL
	< FOCUS > MANUAL
OPERATING TEMPERATURE	-10 - +50°C