

TC5028-3MP-SWIR

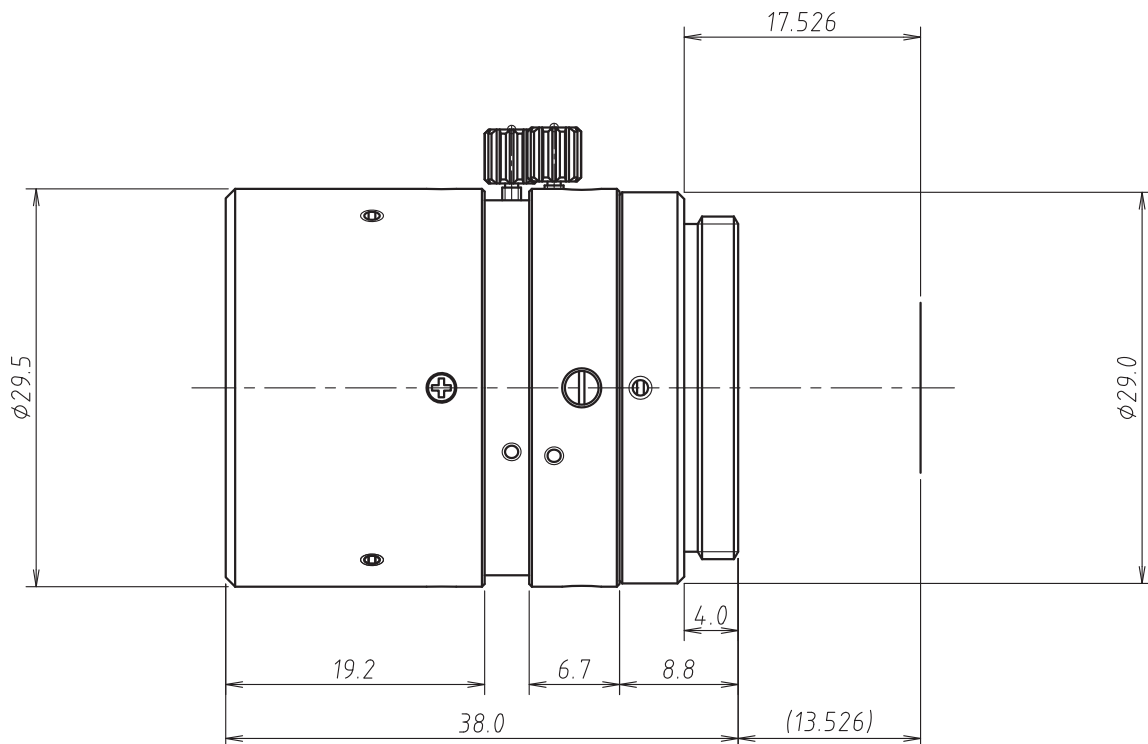
2/3" f=50mm F/2.8

3Megapixel Lens

● SPECIFICATIONS

| | | | | |
|-------------------------------|------------|-----------------|-----------------------|--------------|
| MODEL NUMBER | | TC5028-3MP-SWIR | FILTER SIZE | M27 P=0.5 |
| IMAGE FORMAT | | 2/3inch | DIMENSIONS | φ 29.5x38mm |
| FOCAL LENGTH | | 50mm | WEIGHT | 55g |
| MAXIMUM APERTURE | | F1:2.8 | OPERATING TEMPERATURE | -20°C -+55°C |
| APERTURE RANGE | | F2.8-22 | MOUNT | C-mount |
| M.O.D. | | 0.8 m | FLANGE BACK | 17.526mm |
| ANGLE OF VIEW (at 2/3inch) | HORIZONTAL | 10.03° | BACK FOCAL LENGTH | 21.06mm |
| | VERTICAL | 7.54° | | |

● DIMENSIONS



UNIT: mm