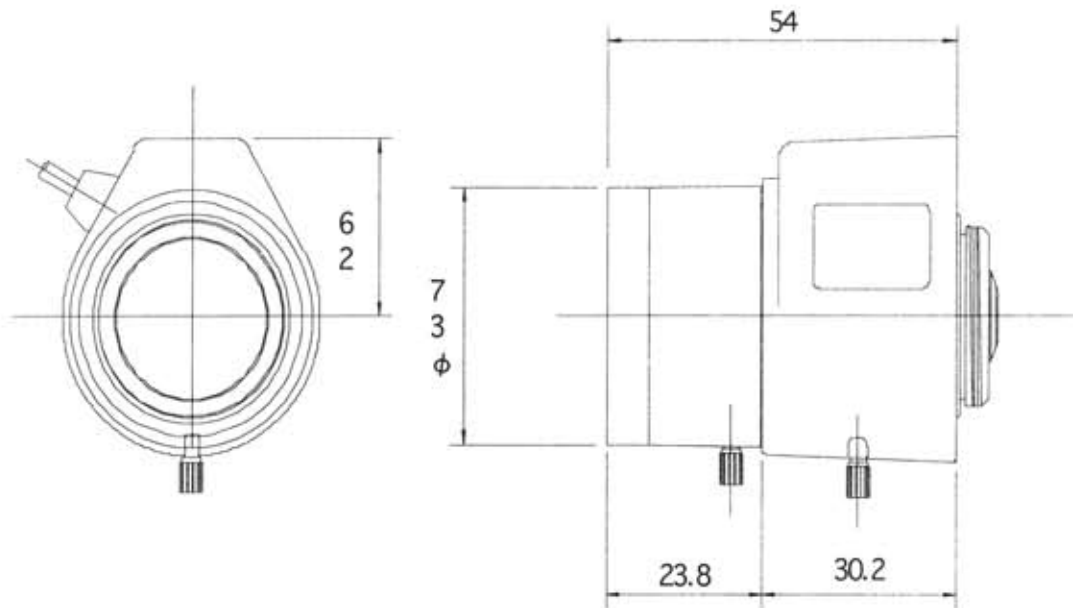


# LTV4Z2814GCS



[ SPECIFICATIONS ]

FORMAT			1/3"
MOUNT			CS MOUNT
FOCAL LENGTH			2.8-12mm
IRIS RANGE			F1.4-360
ANGLE OF VIEW	(1/2")		* * * *
	(1/3")		* * * *
			116.4 (D) x 93.5 (H) x 70.4 (V) (WIDE) 28.5(D) x 22.8 (H) x 17.2 (V) (TELE)
M.O.D			0.3M
BACK FOCAL LENGTH			6.72~18.17mm
FLANGE BACK LENGTH			12.5mm
FILTER SCREW SIZE			* * * *
DIMENSIONS			42.0 (W) x 47.0 (H) x 54.0 (L)
WEIGHT			80g
OPERATION	<IRIS>	AUTO (DC)	DRIVING COIL : 190 Ω ± 10% (20°C) CLOSE-OPEN less than 4.0V OPEN-CLOSE more than 0.5V
	<FOCUS>	MANUAL	DAMPING COIL 700 Ω ± 10% (20°C)
	<ZOOM>	MANUAL	RESPOND SPEED: 3.0 sec. or less
			With Lock Screw
			With Lock Screw
OPERATING TEMPERATURE			-10 - +50°C

[ CABLE CONNECTION ]

<4 CORE CABLE FOR AUTO-IRIS>

WHITE	DRIVE (+)	OPEN
GREEN	DRIVE (-)	
BLACK	DAMP (+)	OPEN
RED	DAMP (-)	