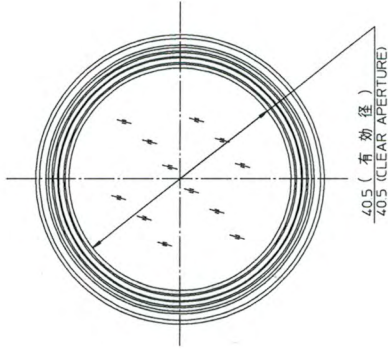
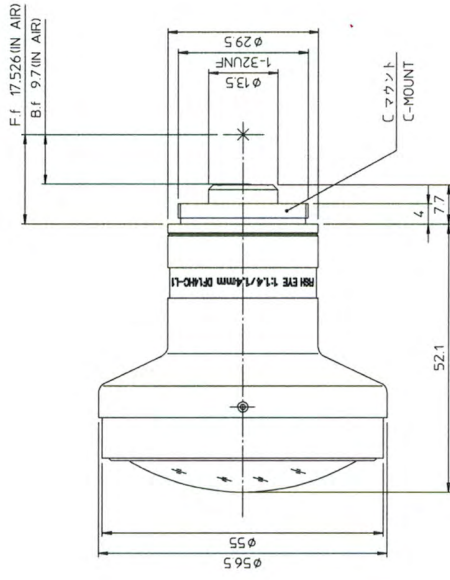


OPTICAL & MECHANICAL SPECIFICATIONS

1. Application	For 1/2" Format Mega Pixel Color Camera
2. Focal Length	14 mm
3. Maximum Relative Aperture	1 : 1.4
4. Image Size	φ4.6 mm
5. Back Focal Length	9.7 mm (in air)
6. Flange Focal Length	17.526 mm (in air)
7. Focus Range	∞ - 0.1 m (from Front of Lens)
8. Field Angle	185°
9. Clear Aperture	
a) Front	φ40.5 mm
b) Rear	φ9.7 mm
10. Exit Pupil Position	-830 mm (from Image Plane)
11. Control	
a) Iris	Fixed
b) Focus	Fixed
12. Mount	C-Mount
13. Mass	Approx. 110 g

ENVIRONMENTAL CONDITIONS

1. Temperature	
a) Operating	-10°C to +50°C
b) Storage	-20°C to +60°C
2. Relative Humidity	35% to 90%



レンズ本体：外観図
Outline drawing
DF1.4HC-L1