



**For Security
Vari-Focal**

YV10×5R4A-SA2

Applicable camera (model)

1	2/3	1/2	1/3	1/4
---	-----	-----	-----	-----

10×



VARI
Vari-Focal

WIDE
Wide Angle

TELE
Telephoto
Long Focal

**Day~
Night**
Day & Night

DC
DC Auto Iris

CS-mt
CS Mount

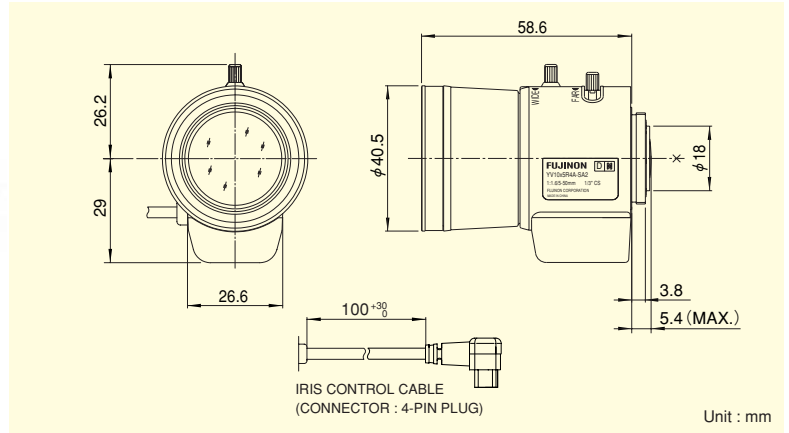
METAL
Metal Mount

ND
ND Filter

230
Long Cable

AT
Aspherical Lens

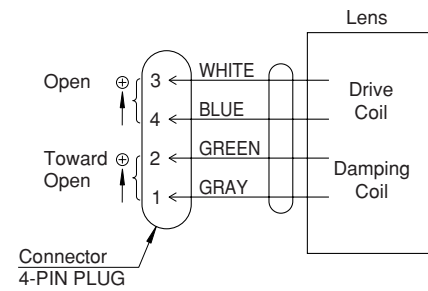
F1.6
Wide Aperture Rate



- Advanced design engineering and special optic glass adopted, best suited for color, Black and White and Day and Night cameras.
- Broad range of f5-50mm, supporting various applications.
- Wide aperture of F1.6, optimizing the performance at low lighting intensity.
- High accuracy aspheric lens adopted, achieving the high quality image.
- Built-in ND filter of T360, supporting high sensitivity cameras.

Focal Length (mm)		5~50 (10×)	
Iris Range		F1.6 ~ T360 (Equivalent to F360)	
Operation	Zoom	Manual	
	Focus	Manual	
	Iris	Auto (DC Type) (*1)	
Angle Of View (H×V)	1/3"	WIDE	51°17' × 39°36'
		TELE	5°30' × 4°07'
	1/4"	WIDE	39°36' × 30°13'
		TELE	4°07' × 3°06'
Focusing Range (From Front Of The Lens) (m)		∞ ~ 0.3	
Object Dimensions at M.O.D. (H×V) (mm)	1/3"	WIDE	304 × 228
		TELE	54 × 41
	1/4"	WIDE	228 × 171
		TELE	41 × 31
Back Focal Distance (in air) (mm)		7.50	
Exit Pupil Position (From Image Plane) (mm)		-43	
Filter Thread (mm)		—	
Mount		CS	
Mass (g)		85	
Coil Resistance		Drive Coil	190Ω
		Damping Coil	500Ω
Current Consumption		23mA (Max.) at DC 4V	
Remarks	<ul style="list-style-type: none"> • With Metal Mount (*1) When power is turned off, iris will automatically close. <p>YV10×5R4A-SA2L : Long Cable Type (230mm)</p>		

Wiring



[Lens Image]



VARI-FOCAL LENSES