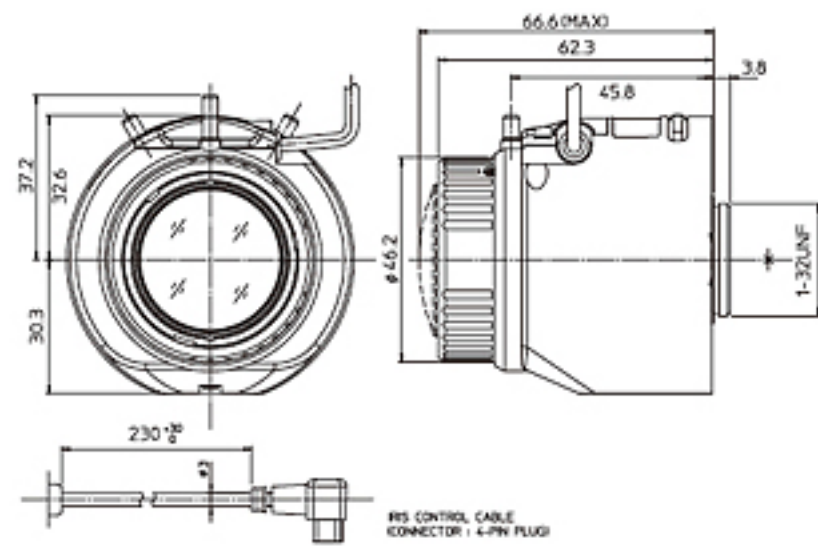


# DV2.2x4.1SR4A-SA2L



Unit : mm

<b>Focal Length (mm)</b>		4.1 - 9 (2.2x)		
<b>Iris Range</b>		F1.6 - T360		
<b>Operation</b>	<b>Zoom</b>	Manual		
	<b>Focus</b>	Manual		
	<b>Iris</b>	Auto (DC type or P-Iris)		
<b>Angle of View (H x V)</b>	<b>1/1.8"</b>	<b>WIDE</b>	100°1' x 74°21'	
		<b>TELE</b>	45°17' x 33°59'	
	<b>1/2"</b>	<b>WIDE</b>	89°33' x 66°42'	
		<b>TELE</b>	40°43' x 30°34'	
	<b>1/3"</b>	<b>WIDE</b>	66°42' x 49°50'	
		<b>TELE</b>	30°34' x 22°56'	
	<b>1/4"</b>	<b>WIDE</b>	49°50' x 37°18'	
		<b>TELE</b>	22°56' x 17°12'	
	<b>Angle of View (H x V) Aspect Ratio 16 : 9</b>	<b>1/1.8"</b>	<b>WIDE</b>	109°23' x 60°32'
			<b>TELE</b>	49°18' x 27°47'
<b>1/2"</b>		<b>WIDE</b>	97°52' x 54°20'	
		<b>TELE</b>	44°21' x 24°59'	
<b>1/3"</b>		<b>WIDE</b>	72°47' x 40°39'	
		<b>TELE</b>	33°17' x 18°44'	
<b>1/4"</b>		<b>WIDE</b>	54°20' x 30°27'	
		<b>TELE</b>	24°59' x 14°3'	
<b>Focus Range (From the Lens Front) (m)</b>		∞ - 0.3m		
<b>Mass (g)</b>		135		

\* This product is also available in manual Iris type.

\* If you need P-Iris model, please contact to us.