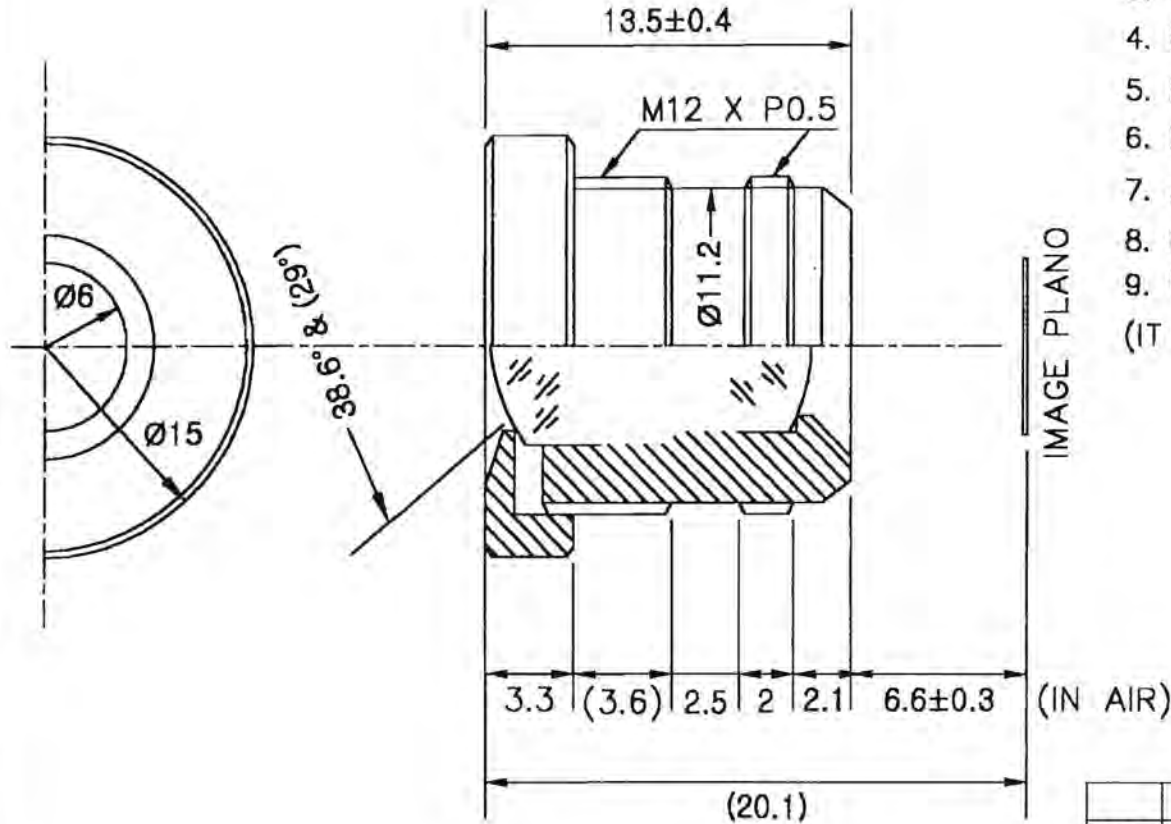


8.0 MM



1. SENSING AREA : 1/3" & (1/4")
2. FOCAL LENGTH : 8.0MM ± 5%
3. BACK FOCAL LENGTH : 8.2MM ± 5% (IN AIR)
4. MAXIMUM RELATIVE APERTURE : 2.0 ± 5%
5. IRIS : WITHOUT DIAPHRAGM
6. LENS CONSTRUCTION : 4 COMPONENTS 4 ELEMENTS
7. ANGULAR FIELD OF VIEW : DIAGONAL 38.6° & (29°)
8. MINIMUM OBJECT DISTANCE : 40 CM
9. WEIGHT : 6 gr

(IT IS CHANGEABLE ON EXTERNAL DIMENSION
BY CUSTOMER'S REQUIREMENT.)

NO.	DESCRIPTION	MATERIAL	SIZE	Q'TY	REMARK
DRAWN		TOLERANCES			
CHECKED		ANGLE 1.2°	TITLE		
APPROVED		x. ± 0.2	f = 8.0MM F : 2.0		
SCALE	4/1	.x ± 0.1			
		.xx ± 0.05			