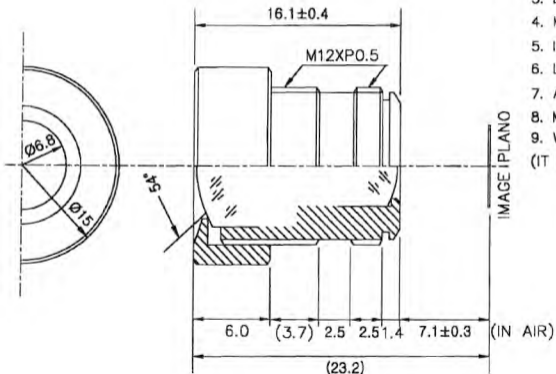


6.0 MM



1. SENSING AREA :  $1/3^\circ$  &  $(1/4^\circ)$
  2. FOCAL LENGTH :  $6.0\text{MM} \pm 5\%$
  3. BACK FOCAL LENGTH :  $7.5\text{MM} \pm 5\%$  (IN AIR)
  4. MAXIMUM RELATIVE APERTURE :  $2.0 \pm 5\%$
  5. IRIS : WITHOUT DIAPHRAGM
  6. LENS CONSTRUCTION : 4 COMPONENTS 4 ELEMENTS
  7. ANGULAR FIELD OF VIEW : DIAGONAL  $54^\circ$  &  $(40.5^\circ)$
  8. MINIMUM OBJECT DISTANCE : 40 CM
  9. WEIGHT : 5 gr
- (IT IS CHANGEABLE ON EXTERNAL DIMENSION  
BY CUSTOMER'S REQUIREMENT.)