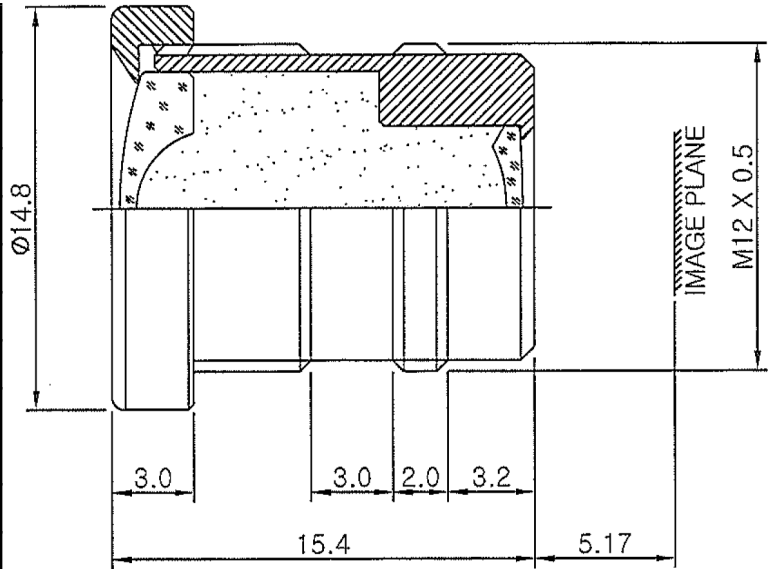


| | | | |
|-------------------|---|----------------------------|------|
| Focal Length | | 3.0 (2.97) | |
| F-Number | | 2.0 | |
| Sensor Size | | 1/3" CCD | |
| Iris | | Fixed | |
| Angle of View | H | 1/3" | 90.8 |
| | D | | 120 |
| | V | | 64.7 |
| Back Focal Length | | 5.6 | |
| LENS CONSTRUCTION | | 4 COMPONENTS 4 ELEMENTS | |
| Dimensions | | ϕ 14.8x15.4 | |
| Weight | | 5g | |



Tolerance : $\pm 0.4\text{mm}$