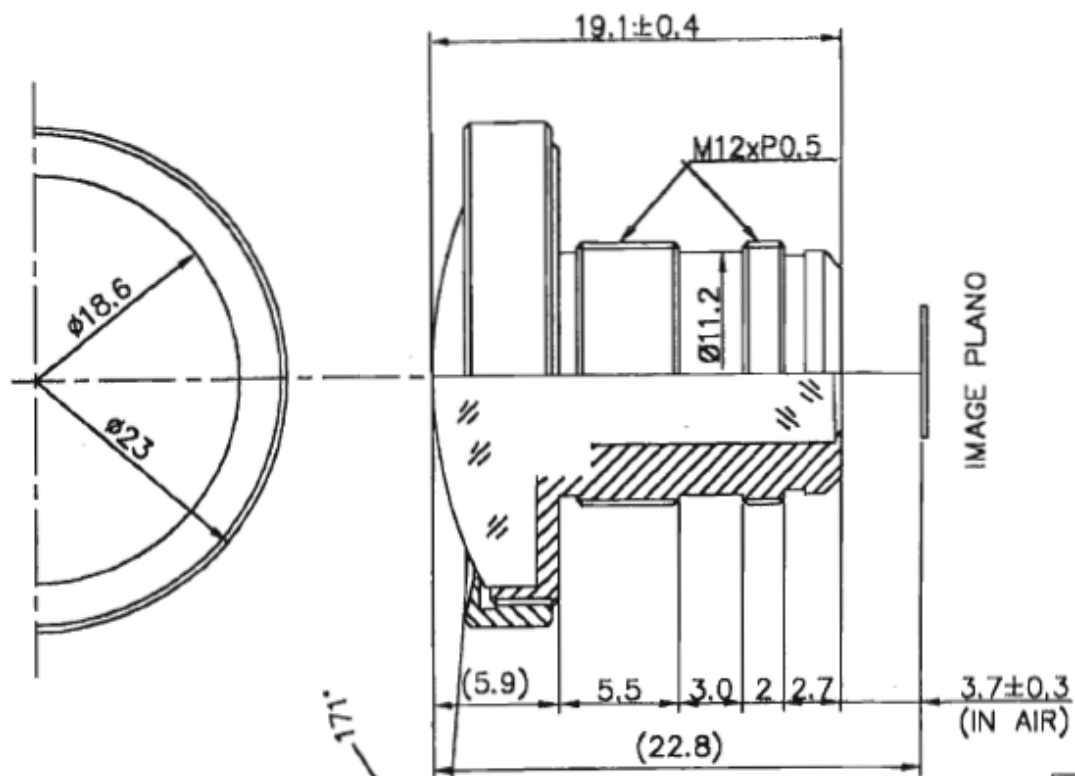


2.2 MM



1. SENSING AREA : 1/3" ONLY
  2. FOCAL LENGTH : 2.2MM  $\pm$  5%
  3. BACK FOCAL LENGTH : 4.2MM  $\pm$  5% (IN AIR)
  4. MAXIMUM RELATIVE APERTURE : 2.5  $\pm$  5%
  5. IRIS : FIXED IRIS
  6. LENS CONSTRUCTION : 6 COMPONENTS 6 ELEMENTS
  7. ANGULAR FIELD OF VIEW : 120' x 90' x 150'
  8. MINIMUM OBJECT DISTANCE : 40 CM - 00
  9. WEIGHT : 6.5 gr
- (SPECIFICATION WILL BE CHANGABLE WITH OR WITHOUT NOTICE IN ADVANCE.)

NO.	DESCRIPTION	MATERIAL	SIZE	Q'TY	REMARK
DRAWN		TOLERANCES			