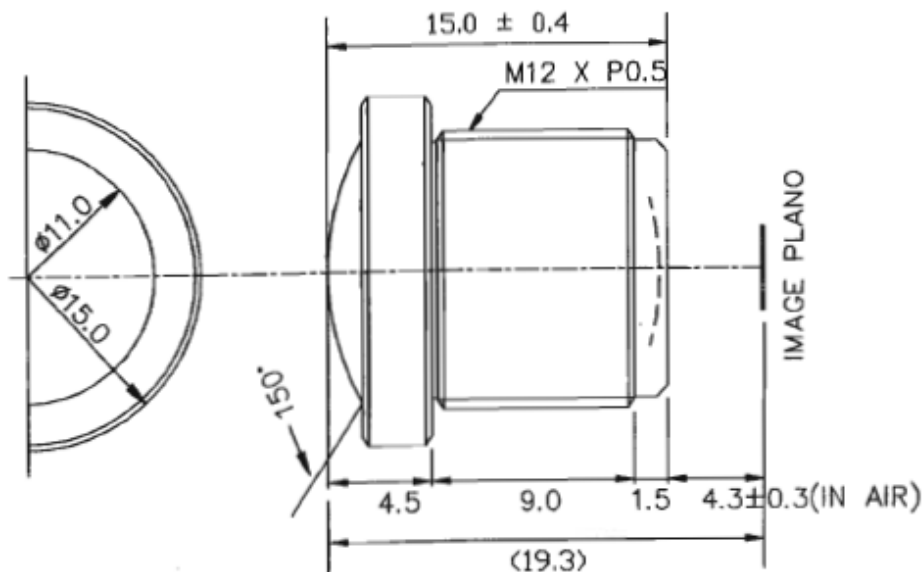


# 1.9 MM



1. SENSING AREA :  $1/4''$  ONLY
  2. FOCAL LENGTH :  $1.9\text{MM} \pm 5\%$
  3. BACK FOCAL LENGTH :  $4.5\text{MM} \pm 5\%$  (IN AIR)
  4. MAXIMUM RELATIVE APERTURE :  $2.5 \pm 5\%$
  5. IRIS : FIXED IRIS
  6. LENS CONSTRUCTION : 5 COMPONENTS 5 ELEMENTS
  7. ANGULAR FIELD OF VIEW :  $120^\circ$  (H)  $\times$   $90^\circ$  (V)  $\times$   $150^\circ$  (D)
  8. MINIMUM OBJECT DISTANCE : 40 CM - 00
  9. WEIGHT : 4.5 gr
- ( IT IS CHANGEABLE ON EXTERNAL DIMENSION BY CUSTOMER'S REQUIREMENT. )