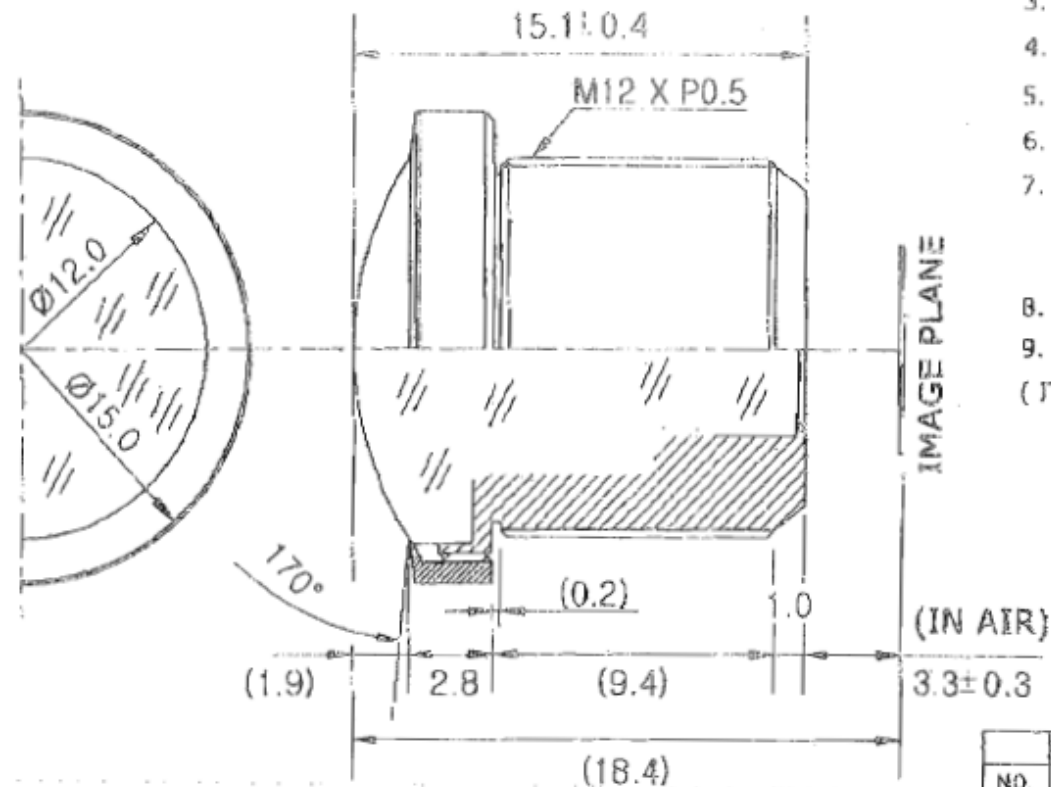


1.68 MM (FT TYPE)

1. SENSING AREA : 1/4" (Diagonal 4.5mm)
 2. FOCAL LENGTH : 1.68MM $\pm 5\%$
 3. BACK FOCAL LENGTH : 3.48MM $\pm 5\%$ (IN AIR)
 4. MAXIMUM RELATIVE APERTURE : 2.5 $\pm 5\%$
 5. IRIS : FIXED IRIS
 6. LENS CONSTRUCTION : 5 COMPONENTS 5 ELEMENTS
 7. ANGULAR FIELD OF VIEW : DIAGONAL 170.0°
HORIZONTAL 132.9°
VERTICAL 101.1°
 8. MINIMUM OBJECT DISTANCE : 40CM -00
 9. WEIGHT : 6.4gr
- (IT IS CHANGEABLE ON EXTERNAL DIMENSION BY BY CUSTOMER'S REQUIREMENT.)



NO.	DESCRIPTION	MATERIAL	SIZE	Q'TY	REMARK