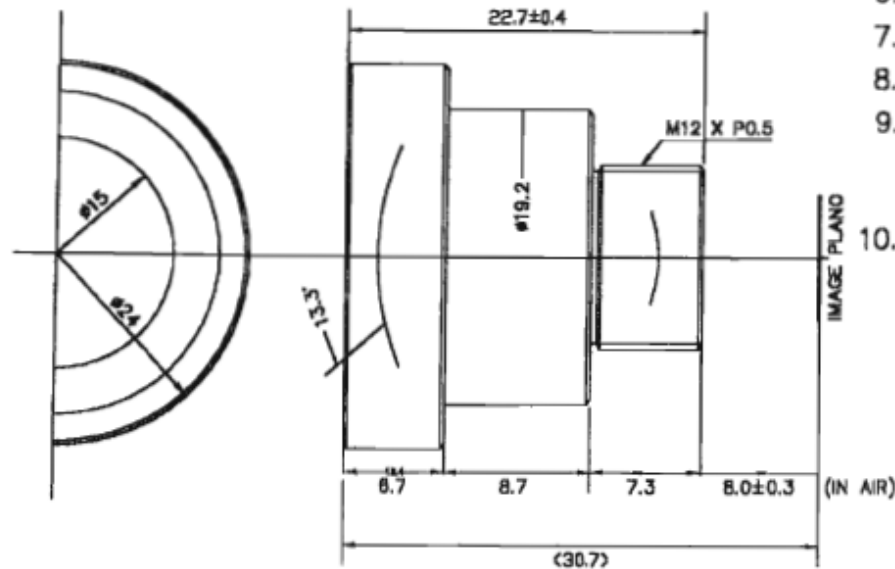


25.0MM



1. SENSING AREA : $1/3''$ & $1/2''$
2. FOCAL LENGTH : $25.0 \pm 5\%$ mm
3. BACK FOCAL LENGTH : $11.7\text{mm} \pm 5\%$ (IN AIR)
4. MAXIMUM RELATIVE APERTURE : F/2.5
5. IRIS : WITHOUT DIAPHRAGM
6. LENS CONSTRUCTION : 4 GROUPS 4 ELEMENTS
7. MINIMUM OBJECT DISTANCE : 20 CM - ∞
8. WEIGHT : 19 gr
9. Angle of View (DXHXV $1/2''$) : $18.3^\circ \times 14.6^\circ \times 10.98^\circ$
Angle of View (DXHXV $1/3''$) : $13.8^\circ \times 10.98^\circ \times 8.24^\circ$
10. TV DISTORTION ($1/2''$ & $1/3''$) : $< -0.2\%$ & -0.09%