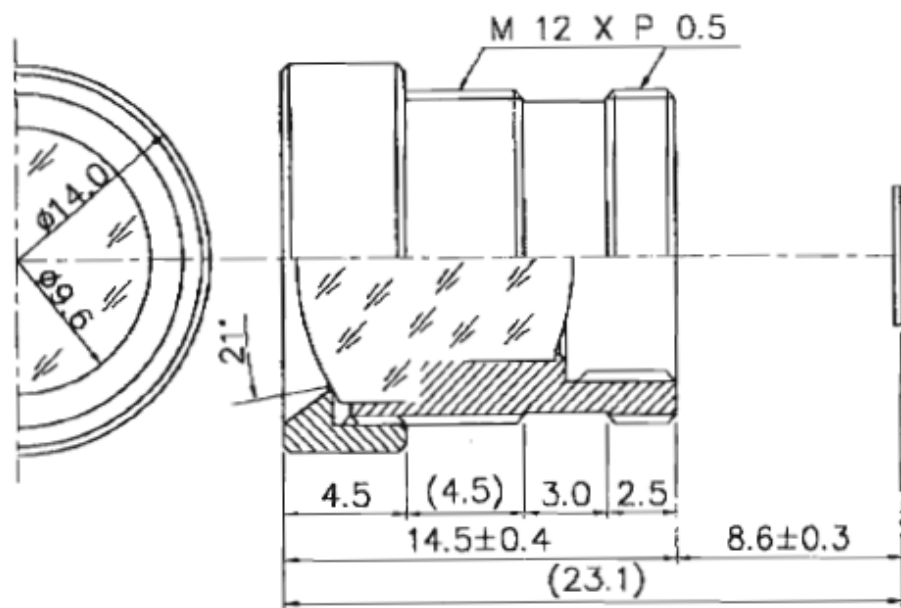


16.0 MM (K TYPE)



1. SENSING AREA : 1/2° & (1/3")
 2. FOCAL LENGTH : 16.0MM ± 5%
 3. BACK FOCAL LENGTH : 12.3MM ± 5% (IN AIR)
 4. MAXIMUM RELATIVE APERTURE : 2.0 ± 5%
 5. IRIS : FIXED
 6. LENS CONSTRUCTION : 3COMPONENTS 3ELEMENTS
 7. ANGULAR FIELD OF VIEW :

	1/2° & (1/3")
DIAGONAL	27.8° & 21.0°
HORIZONTAL	22.1° & 16.6°
VERTICAL	16.8° & 12.4°
 8. MINIMUM OBJECT DISTANCE : 80CM -00
 9. WEIGHT : 4.2gr
- (IT IS CHANGEABLE ON EXTERNAL DIMENSION BY BY CUSTOMER'S REQUIREMENT.)