

**T0928KRW**

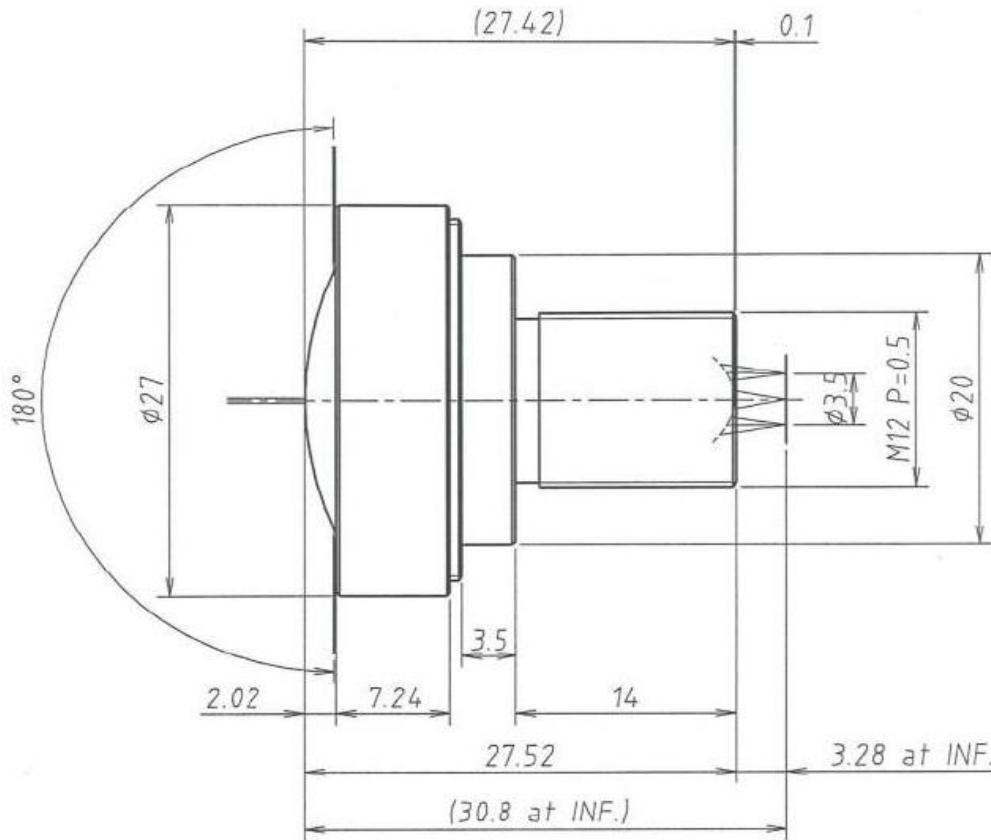
f = 0.95mm F2.8 Megapixel lens  
 for 1/3 type Format Board Cameras, Fisheye, No Iris  
 IR corrective

Model No.	T0928KRW		Effective	Front	φ 19mm	
Focal Length	0.95mm		Lens Aperture	Rear	φ 5.4mm	
Max. Aperture Ratio	1:2.8		Distortion		-96.82%	
Image Size at 180°	φ 3.5		Back Focal Length		3.38mm	
Operation Range	Iris	-	Flange Back Length		-	
	Focus	0.05m - Inf.	Mount		M12 P=0.5mm	
Object Dimention at M.O.D.	1/2.5 type	-	Dimensions		φ 27mm x 27.52mm	
	1/3 type	-	Weight		19g	
Coating	MgF2 Single Coat (All Surfaces λ = 546nm)					
Angle of View (Peripheral light amount 50%)	D		1/3 type	-	1/4 type	-
	H			-		180°
	V			180°		145.2°

1/3 inch

M12 P=0.5

**Dimensions**



ImmerVision Enables Compatible.

Specification is subject to change without any notice.

04/02/2016