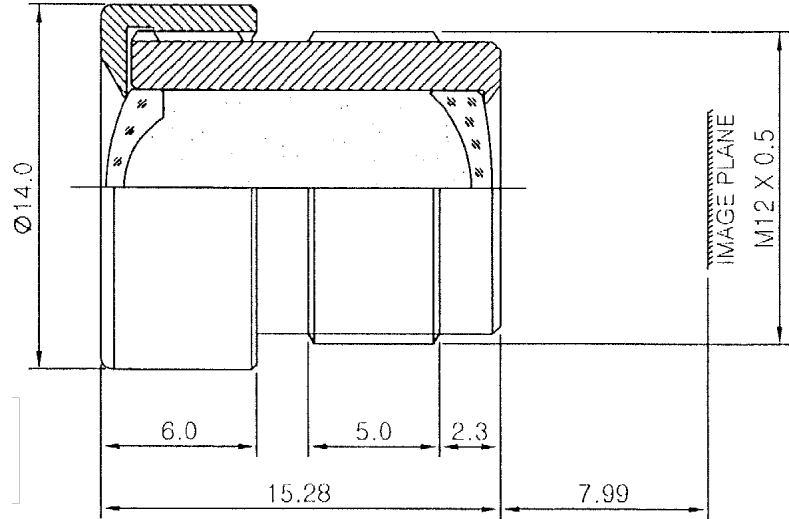


Focal Length		6.0	
F-Number		2.0	
Sensor Size		1/3" CCD	
Iris		Fixed	
Angle of View	H	1/3"	60.0
	D		
	V		
Back Focal Length		8.29	
LENS CONSTRUCTION		3 COMPONENTS 4 ELEMENTS	
Dimensions		φ 14.0x15.28	
Weight		5.5g	



Tolerance : ±0.4mm